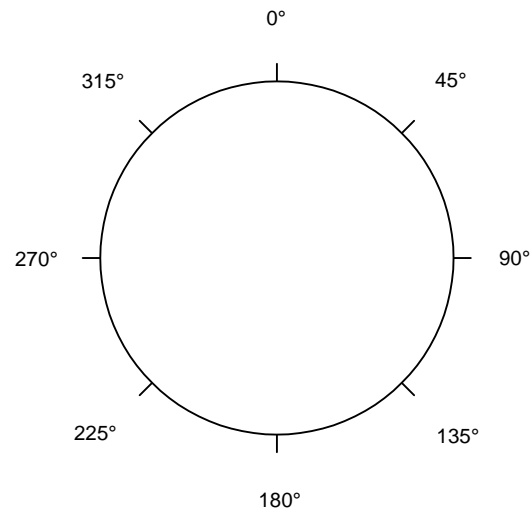
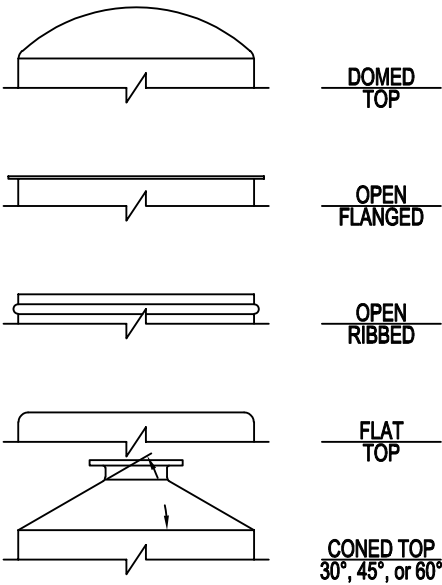
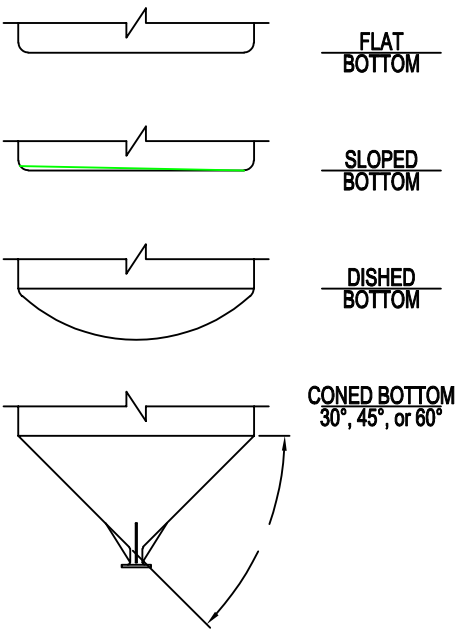


**TYPICAL TOP CONFIGURATIONS**

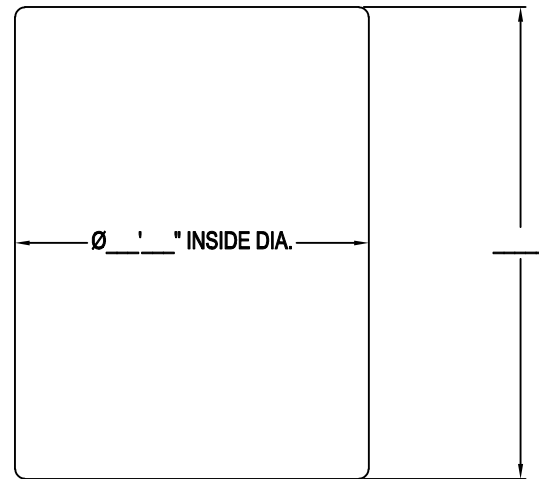
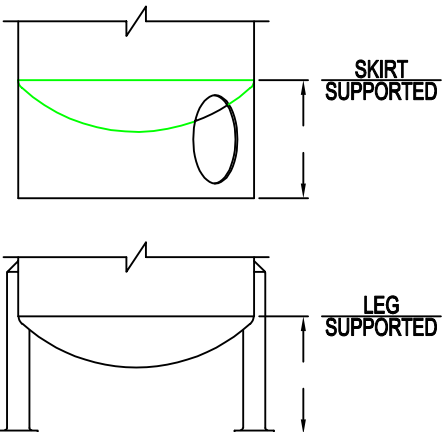


**PLAN VIEW**  
(TRUE ORIENTATION)

**TYPICAL BOTTOM CONFIGURATIONS**



**TYPICAL SUPPORT CONFIGURATIONS**



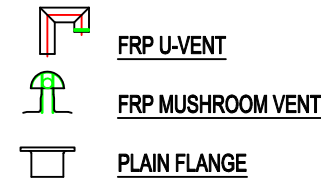
**ELEVATION**

ITEMS SHOWN IN THIS VIEW MAY BE ROTATED FOR CLARITY  
SEE TOP VIEW FOR TRUE ORIENTATION

**STANDARD AVAILABLE COLORS**

- GRAY: \_\_\_\_\_
- WHITE: \_\_\_\_\_
- TAN: \_\_\_\_\_
- BLACK: \_\_\_\_\_
- NATURAL: \_\_\_\_\_

**TYPICAL VENT CONFIGURATIONS**  
VENT SIZE NORMALLY SHOULD MATCH  
SIZE OF LARGEST VESSEL FITTING



**ACCESSORIES REQUIRED**

- SIGHT GAUGE: \_\_\_\_\_
- LEVEL INDICATOR: \_\_\_\_\_
- LADDER - PLAIN/CAGED: \_\_\_\_\_
- PLATFORM: \_\_\_\_\_
- HAND-RAILS: \_\_\_\_\_
- NON-SKID TOP: \_\_\_\_\_
- INSULATION: \_\_\_\_\_
- HEAT-TRACING: \_\_\_\_\_
- MIXER REQUIRED: \_\_\_\_\_
- BAFFLES: \_\_\_\_\_
- SIPHON DRAIN: \_\_\_\_\_
- FULL DRAIN: \_\_\_\_\_
- PIPE BRACE: \_\_\_\_\_
- OVERFLOW PIPE: \_\_\_\_\_
- DIP-PIPE: \_\_\_\_\_
- UTILITY CLIP: \_\_\_\_\_
- INSTRUMENT BRACKET: \_\_\_\_\_
- VORTEX BREAKER: \_\_\_\_\_
- WEIR BOX: \_\_\_\_\_

**SCHEDULE OF FITTINGS AND ACCESSORIES**

MARK	QTY	SIZE	TYPE	DESCRIPTION	PRESS.	SERVICE	ELEV.
A							
B							
C							
D							
E							
F							
G							
H							
I							
J							
K							
L							
M							
N							
O							
P							
Q							
R							
S							
T							

**DESIGN PARAMETERS**

VESSEL CONTENTS & CONCENTRATION: \_\_\_\_\_

SP. GR.: \_\_\_\_\_ TEMP.: \_\_\_\_\_ °F PRESS.: \_\_\_\_\_ PSIG VACC.: \_\_\_\_\_ PSIG

NOMINAL CAPACITY: \_\_\_\_\_ U.S. GALLONS

TANK DIMENSIONS: \_\_\_\_\_ Ø \_\_\_\_\_ STRAIGHT SIDEWALL LOCATION: INDOOR \_\_\_\_\_ OUTDOOR \_\_\_\_\_

CORROSION BARRIER RESIN TYPE: \_\_\_\_\_ NEXUS: \_\_\_\_\_ C-VEIL: \_\_\_\_\_ THK.: \_\_\_\_\_ MIL

STRUCTURAL RESIN TYPE: \_\_\_\_\_ MINIMUM THICKNESS \_\_\_\_\_ IN.

WIND LOAD (IF APPLICABLE): \_\_\_\_\_ MPH SITE LOCATION \_\_\_\_\_

**CUSTOMER INFORMATION**

CONTRACTOR: \_\_\_\_\_ DATE: \_\_\_\_\_

ADDRESS: \_\_\_\_\_ PHONE: \_\_\_\_\_ E-MAIL: \_\_\_\_\_

CITY: \_\_\_\_\_ STATE: \_\_\_\_\_ ZIP: \_\_\_\_\_

SUBMITTED BY: \_\_\_\_\_ TITLE: \_\_\_\_\_

OTHER CONTACT: \_\_\_\_\_ TITLE: \_\_\_\_\_

Fiber Glass Systems | NOV

Fiber Glass Systems, LP  
BELTON, TEXAS FACILITY  
2303 TAYLORS VALLEY RD  
BELTON, TX 78513

REV.	DATE	DRAWN	CHECKED
A	-	COSS	

CONFIDENTIALITY: THIS MATERIAL CONTAINS PROPRIETARY TO FGS BELTON, TX FACILITY. RECEIPT OR POSSESSION OF THIS DOCUMENT CONVEYS NO RIGHT TO DISCLOSE TO OTHERS OR REPRODUCE ITS CONTENTS IN WHOLE OR IN PART OR TO TAKE, USE OR SELL ANY ARTICLES OR PROCESSES DESCRIBED OR SHOWN HEREIN EXCEPT BY WRITTEN PERMISSION OF FGS BELTON, TX FACILITY.

TANK SKETCH SHEET  
FOR CUSTOMER

FGS/NOV Belton Facility

DWG. # TNK WRK SHT